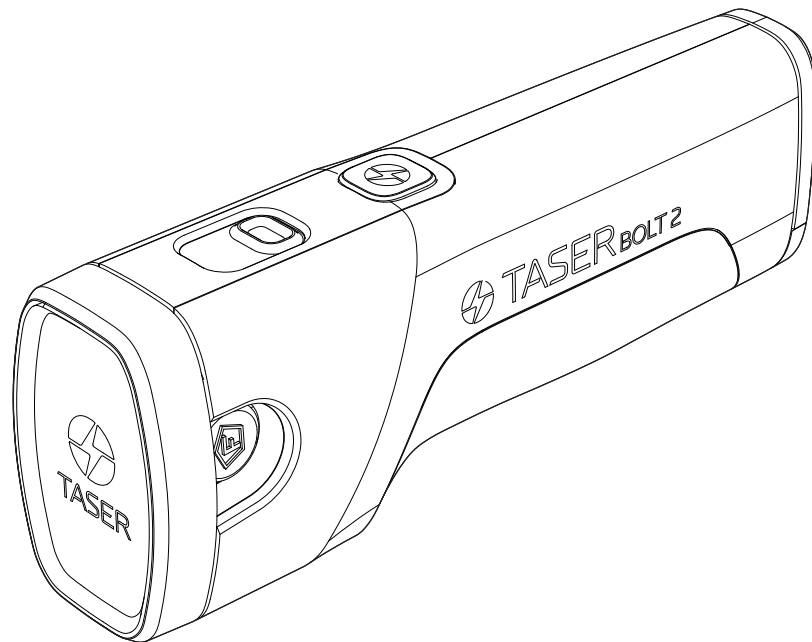




# TASER Bolt 2 Energy Weapon User Manual



Model TS1022



## **IMPORTANT SAFETY INSTRUCTIONS**

Read all warnings and instructions. Save these instructions.  
The most up-to-date warnings and instructions are  
available at [www.axon.com](http://www.axon.com)

MMU0080 Rev: A

April 2022

For more cartridges or fresh batteries, go to [buy.taser.com](http://buy.taser.com)



# Contents







1	Chapter 1: Warnings
1	Important Safety and Health Information
1	LASER Information
3	Chapter 2: Ownership
4	Chapter 3: General Information
4	What Is the TASER Bolt 2 Energy Weapon?
4	Neuro Muscular Incapacitation (NMI)
4	Basic Bolt 2 Electrical Theory
6	Chapter 4: TASER Bolt 2 Energy Weapon and Cartridge Features
6	Safety Switch
7	Safety Cap
7	Safety Cap Leash
9	Power Supply
10	Firing Button
10	Spark Duration
11	Electrodes
11	LASER and LED Flashlight
11	The TASER Bolt 2 Cartridge
11	Avoiding Unintentional Discharge
12	Protective Anti-Felon Identification (AFID) Tags
12	<b>Loading a Cartridge</b>
13	Unloading a Cartridge
14	Practicing with the Bolt 2 Energy Weapon
15	Aiming and Probe Placement
15	Using the Bolt 2 Energy Weapon
15	Deployment Instructions for Self-Defense.
16	“Silence is Golden”
16	Potential Causes of Reduced or No Effectiveness

16	What if I Miss?
17	Contact Stun Backup
17	<b>TASER Safe Escape Policy</b>
18	<b>Chapter 5: Smart Device Application</b>
18	<b>The Axon Protect Application</b>
18	Installing Axon Protect
19	Uninstalling Axon Protect
19	<b>Stopping False Alarms</b>
19	<b>Using Training Mode</b>
20	<b>Chapter 6: Maintenance and Care</b>
20	<b>General Concepts</b>
20	<b>Function Test</b>
21	<b>Changing the Batteries</b>
22	<b>Chapter 7: Additional Items</b>
22	<b>Troubleshooting</b>
22	<b>Legality</b>
22	<b>Warranty</b>
22	<b>Warnings</b>
23	<b>Medical Research</b>
23	<b>Radio Waves</b>
23	<b>Federal Communications Commission (FCC) Statement</b>
23	<b>Compliance Marks</b>

# Chapter 1: Warnings


## Important Safety and Health Information

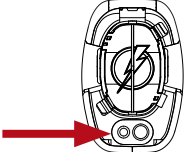
These safety warnings posted at [www.axon.com](http://www.axon.com) are for your protection as well as the safety of others. Disregarding this information could result in death or serious injury.

 <b>WARNING</b>	
 <div style="border: 1px solid black; padding: 5px; display: inline-block;"> <b>WARNING</b> <b>Energy Weapon</b><ul style="list-style-type: none"><li>• Can temporarily incapacitate target.</li><li>• Can cause death or serious injury.</li><li>• Obey warnings, instructions and all laws.</li><li>• Comply with current training materials and requirements.</li><li>• See <a href="http://www.axon.com">www.axon.com</a></li></ul></div>	
	<b>Read and Obey</b> Significant differences exist between different TASER Energy Weapon models. Do not use or attempt to use any energy weapon model unless you have read, understood, and are following all current instructions, warnings, and relevant TASER training materials before using TASER energy weapons. Failure to do so could increase the risk of death or serious injury to the user or others.
	<b>Obey Applicable Laws</b> Use of energy weapons must be legally justified and comply with applicable federal, state, and local laws and regulations.
	<b>Store in a Secure Location</b> Energy weapons and cartridges are weapons and, as with any weapon, follow safe weapon-handling practices and store your energy weapon securely. Store energy weapons, cartridges, and accessories in secure locations inaccessible to children and other unauthorized persons to prevent inappropriate access or use.  For a complete list of product warnings, go to <a href="http://www.axon.com">www.axon.com</a> .

## LASER Information

The energy weapon uses a Class 2 LASER as an aiming aid. LASERs can cause serious eye injury, including permanent vision loss.

<b>⚠ WARNING</b>	
<p>LASER RADIATION AVOID DIRECT EYE EXPOSURE CLASS 2 LASER PRODUCT</p>	

<b>⚠ WARNING</b>	
<p>AVOID EXPOSURE – LASER RADIATION IS EMITTED FROM THIS APERTURE</p>	

<b>⚠ CAUTION</b>	
<p>The use of controls or adjustments or performance of procedures other than those specified herein may result in hazardous radiation exposure.</p>	

## Chapter 2: Ownership

Do not point the energy weapon at any law enforcement officer or do anything that would cause law enforcement officers to feel threatened by your use of the energy weapon. Because the TASER energy weapon is able to incapacitate a person, law enforcement officers may be justified to use lethal force to protect themselves.

Do not give a TASER energy weapon away as a gift or sell it without providing the new owner's name, email address, and phone number to customer service at [team@taser.com](mailto:team@taser.com). For more information, see *Legality* (Chapter 7).

Taking a TASER-brand energy weapon out of the United States (US) without the proper export license is prohibited by law (similar prohibitions may exist in other countries).

Check with TSA or any other relevant agency for the most recent regulations to determine whether you are permitted to travel aboard a commercial airplane with a TASER energy weapon. Check local laws to determine whether you may possess or carry a energy weapon in your destination.

It is recommended that you carry the Bolt 2 energy weapon only in a manufacturer approved holster or carrying case. Do not carry uncovered Bolt 2 cartridges in your pockets as they can be fired by electrostatic discharge (static electricity).

# Chapter 3: General Information

## What Is the TASER Bolt 2 Energy Weapon?

The TASER Bolt 2 is a self-defense energy weapon manufactured by Axon Enterprise, Inc. TASER-brand energy weapons are designed to use propelled wires or direct contact to conduct energy to affect the sensory and/or motor functions of the nervous system.

The Bolt 2 energy weapon uses a replaceable cartridge containing compressed nitrogen to deploy two small probes that are attached to the Bolt cartridge by insulated conductive wires with a maximum length of 15 feet (4.6 m). The Bolt 2 energy weapon transmits electrical pulses along the wires and into the body, which if used successfully will affect the sensory and motor functions of the peripheral nervous system to immobilize the body.

The Bolt 2 energy weapon has an estimated useful life of two years.

## Neuro Muscular Incapacitation (NMI)

TASER technology is designed to use electrical pulses similar to those in your body's nervous system to cause stimulation that affects the sensory and motor nerves. Neuro Muscular Incapacitation (NMI) occurs when an energy weapon is able to cause involuntary stimulation of both the sensory nerves and the motor nerves to render an attacker temporarily unable to control movement. It is not dependent on pain and can be effective on subjects with a high level of pain tolerance. Previous generations of stun guns could primarily affect the sensory nerves only, resulting in pain compliance. An attacker with a very high tolerance to pain (e.g., a drug abuser, person in serious psychological distress, or a trained, focused fighter) may not be affected by the pain or might be able to fight through the pain of a traditional stun gun.

An energy weapon may cause NMI if probes are within sufficient proximity to complete a circuit, the probes have a sufficient spread, and an adequate circuit is completed and maintained.

## Basic Bolt 2 Electrical Theory

Electricity must be able to flow between the probes or the electrodes to deliver an electrical charge and will generally follow the path of least resistance.

The greater the spread between the probes on the target, generally the greater the NMI effectiveness.

Electricity will generally not pass to others in contact with the subject unless contact is made directly between or on the probes or the wires are touched.

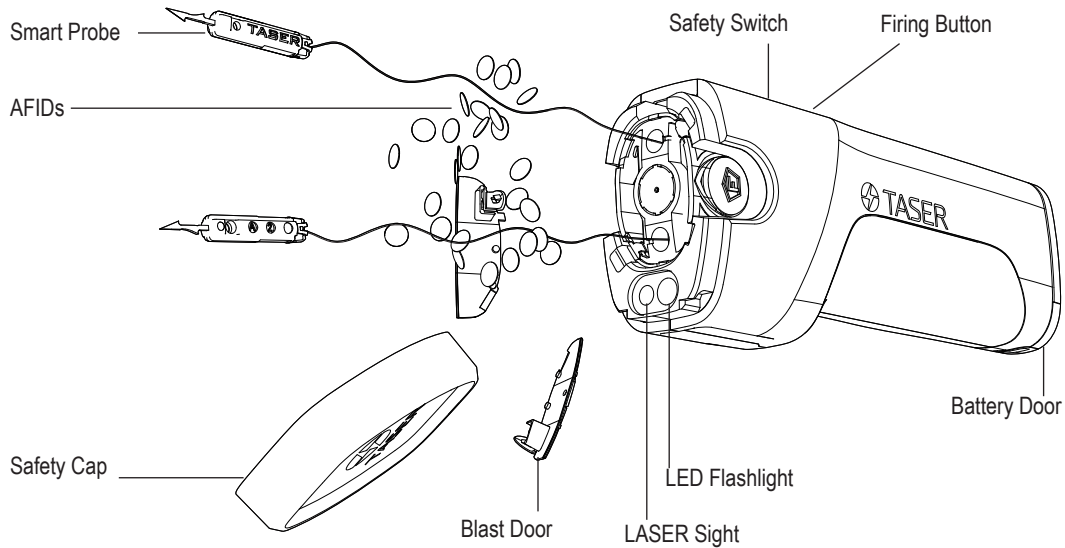
Exposure to water will not increase the power to the subject (the electrical charge is fixed inside the

TASER energy weapon, and will not increase significantly even with environmental changes).

Medical studies have found that modern pacemakers and implanted cardiac defibrillators withstand external electrical defibrillators that are stronger than the TASER conducted energy pulses. For more information go to [www.axon.com](http://www.axon.com).

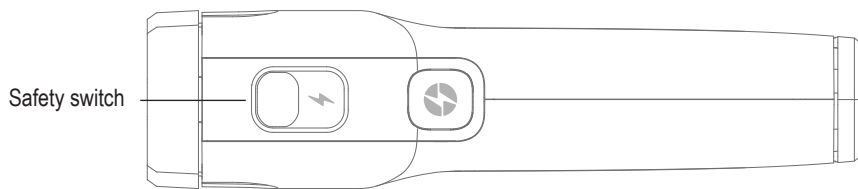


# Chapter 4: TASER Bolt 2 Energy Weapon and Cartridge Features

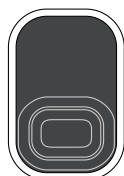


## Safety Switch

The safety switch is designed to minimize the possibility of inadvertent activation of the firing button. When the safety switch is in the forward position, the energy weapon is ARMED, and an LED illuminates to indicate power to the energy weapon. Be sure to slide the safety switch all the way forward.



Safety switch in the rearward (SAFE) position



The firing button is not illuminated



Safety switch in the forward (ARMED) position.



The LED on the firing button illuminates when the weapon is armed. The illumination fades after 3-6 seconds.

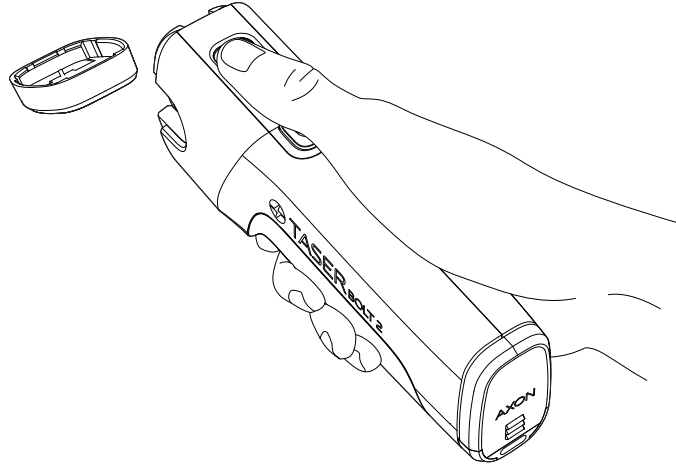


If the Bolt 2 safety switch is left in the forward (ARMED) position for more than 20 minutes, the system will shut down to preserve battery life.

To re-arm the Bolt 2 energy weapon, move the safety switch to the rearward (SAFE) position, then back to the forward (ARMED) position.

## Safety Cap

The Bolt 2 energy weapon has a safety cap that covers the cartridge for added safety in carrying and storage. When the safety switch is shifted to the forward (ARMED) position, the safety cap is pushed off the weapon.



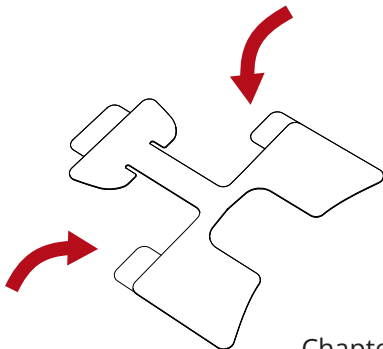
To re-place the safety cap, first shift the safety switch to the rearward (SAFE) position.

**Be sure to not touch the firing button when putting the safety cap back on the Bolt 2 energy weapon.**

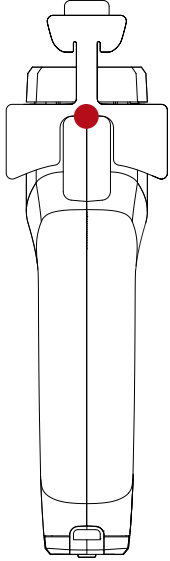
### Safety Cap Leash

The optional safety cap leash can keep the safety cap tethered to the Bolt 2 energy weapon while allowing the safety cap to be popped off the front of the weapon when the safety switch is shifted to the forward (ARMED) position. The leash attaches to the cap and the weapon with an adhesive. You must remove a backing from the adhesive parts of the leash before attaching it to the safety cap and weapon.

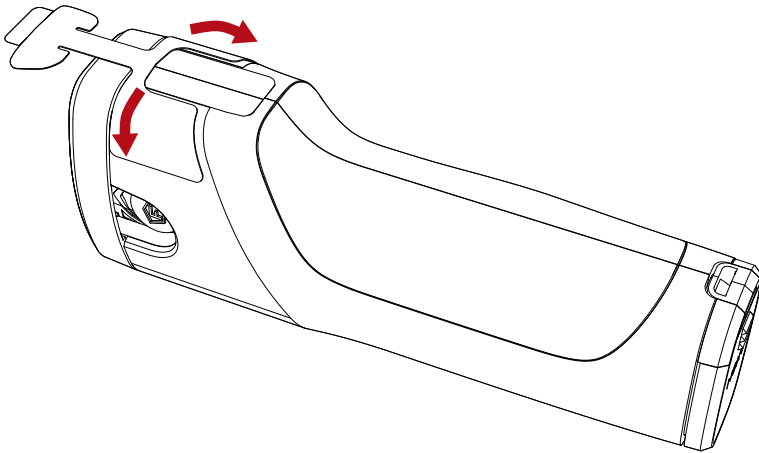
- 1 Confirm that the weapon is unloaded. See *Unloading a Cartridge* for more information.
- 2 Put the safety cap on the energy weapon.
- 3 Remove the adhesive backing from the wing-shaped part of the leash by pulling on the two tabs.



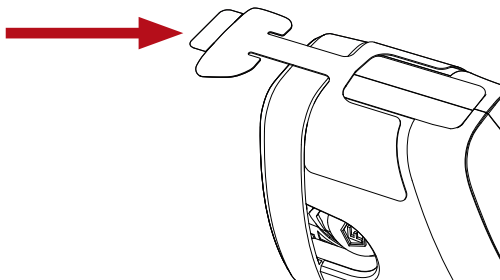
- 4 Align the top edge of the wings to the Bolt housing.
- 5 Press the leash to the underside of the weapon, beginning at the center.



- 6 Press the sides down to the energy weapon. Use the edge of the Bolt housing as a guide.



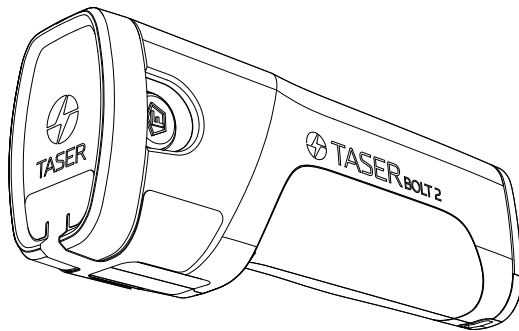
- 7 Remove the adhesive backing from the front of the leash.



- 8 Press the end of the leash to the safety cap as shown below.



A view of a Bolt 2 energy weapon with the leash applied to the weapon and safety cap. It is important that the leash be applied so the safety cap still pops off when the safety is shifted to the forward (ARMED) position.



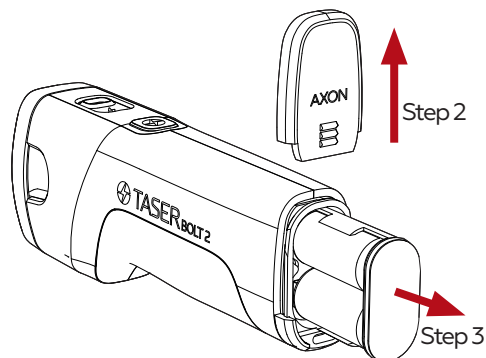
## Power Supply

The Bolt 2 energy weapon's battery pack has enough power for approximately fifty 30-second firings or one year (whichever comes first). Battery life can vary depending on temperature, environment, and other factors. The battery pack will deplete faster in colder weather than in warm weather. Replacement battery packs are available from [buy.taser.com](http://buy.taser.com).

See *Firing Button* for information on battery power level indication.

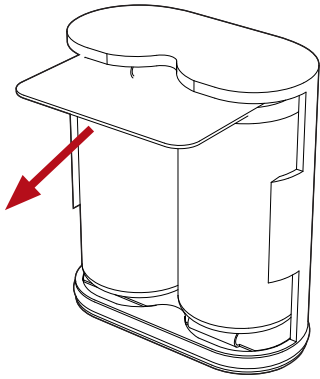
Before a new Bolt 2 energy weapon can be used, a tab separating the batteries must be removed. Follow these steps:

- 1 Ensure the Bolt 2 energy weapon is unloaded.
- 2 Remove the battery door.

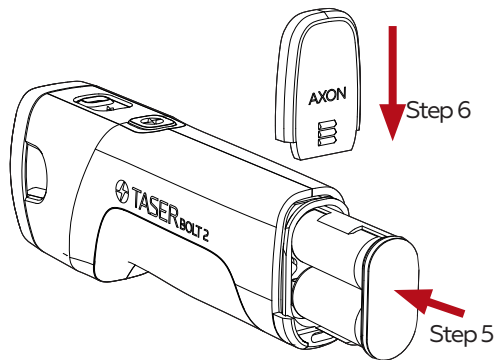


- 3 Remove the battery pack.

- 4 Pull the tab out.



- 5 Put the battery pack back in the Bolt 2 energy weapon.



- 6 Put the battery door back on the Bolt 2 energy weapon.
- 7 Perform the steps in *Function Test* (Chapter 6).

## Firing Button

The firing button is located behind the safety switch and is ARMED when the safety is in the forward position.

**In the event of an unintentional discharge, immediately move the safety switch to the rearward (SAFE) position to stop the discharge cycle.**

When shifting the safety switch to the ARMED or SAFE positions, take care to not touch the firing button in order to avoid an unintentional discharge.

The LED on the firing button communicates battery and device status. A green LED indicates a good charge. When the LED is yellow, the battery is getting low. A red LED indicates the battery is depleted and/or an error in the device. If you replace the batteries and the LED is still red, contact customer support.



## Spark Duration

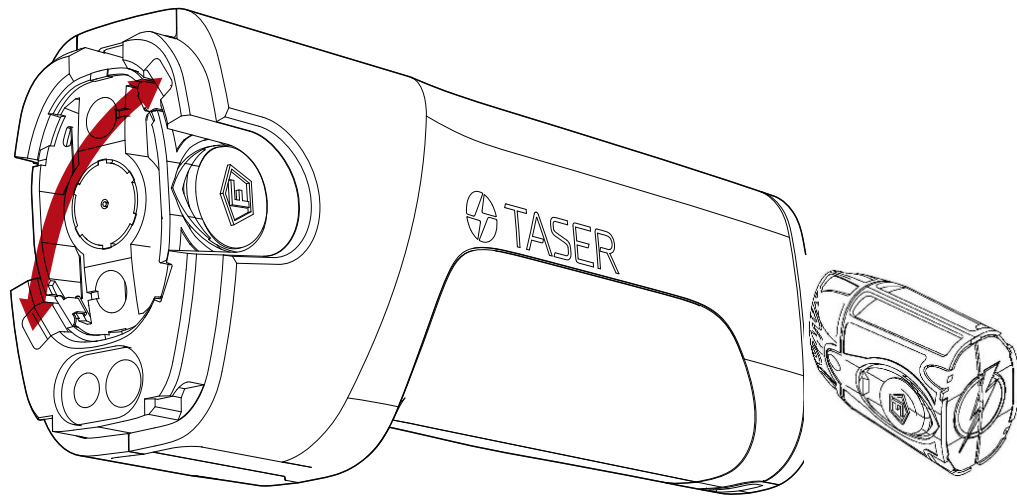
When the Bolt 2 energy weapon is deployed with a single push of the button, it delivers an approximately 30-second Shaped Pulse energy burst of short-duration electrical pulses. This sparking will continue for 30 seconds unless the safety switch is moved to the rearward (SAFE) position.

If the firing button is pushed a second time while the weapon is arcing, the weapon will stop arcing. To start a new energy cycle, you must press the firing button again.

If the firing button is held down for the full 30-second arc period, the weapon will stop arcing after 30 seconds. If necessary, release the firing button and press it again.

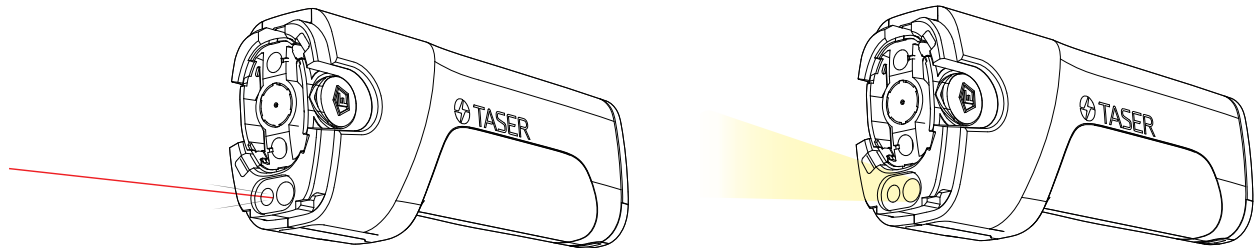
## Electrodes

The front of the Bolt 2 energy weapon has two metal electrodes. These electrodes direct the charge to the electrodes on the cartridge to initiate deployment of the probes. In addition, the electrodes provide the ability to use the Bolt 2 energy weapon in a contact stun mode as a traditional stun gun.



## LASER and LED Flashlight

The LED flashlight illuminates whenever the safety is in the forward (ARMED) position. In addition, the optional LASER provides assistance for aiming and is the approximate orientation of the top probe. The flashlight and LASER will turn off when the energy weapon is arcing, and turn back on when the arc ends.



## The TASER Bolt 2 Cartridge

Fifteen-foot (4.6 m) cartridges are available for the Bolt 2 energy weapon at buy.taser.com. TASER Bolt 2 cartridges have a service life of 5 years. Bolt, Bolt 2, C2, Pulse, and Pulse+ cartridges are identical and will work in any of these energy weapons.

### Avoiding Unintentional Discharge

Never attempt to open or modify a Bolt 2 cartridge. Tampering with a live Bolt 2 cartridge could cause it to discharge or malfunction, which may result in serious injury.



Handle all Bolt 2 cartridges with care. Probes may deploy unexpectedly if exposed to physical shock.

Additionally, the firing sequence for all Bolt 2 cartridges is designed to be initiated by an electrostatic discharge delivered by the TASER energy weapon. This is an important design and functional element for the Bolt 2 energy weapon and cartridge. However, an electrostatic discharge can come from many other sources such as rubbing cloth (i.e., jacket liner) across a cartridge in an environment known to create static shocks. When an electrostatic discharge, regardless of the source, contacts the front of a Bolt 2 cartridge, it is possible for the cartridge to discharge (and even to discharge when not inserted into the energy weapon). Therefore, avoid contact between static electricity and the Bolt 2 cartridge because static electricity can cause unexpected discharge.

Occasionally, cartridge blast doors will be knocked off the front of a cartridge. Because those cartridges cannot be relied upon to discharge, Axon recommends disposing of these cartridges. TASER energy weapon operators should not attempt to fire a cartridge with no blast doors on it unless they are facing an immediate threat and do not have the time or option to reload. Attempting to deploy a cartridge with no blast doors could result in a charge being created and held in the wires. Any conductive material that comes into contact with the front of the cartridge, even after the cycle has ended, could draw the charge to the ignition pin and deploy the probes.

### Protective Anti-Felon Identification (AFID) Tags

Every time a Bolt 2 cartridge is deployed, 20–30 small confetti-like AFID tags are ejected. Each AFID tag is printed with the serial number of the cartridge. This revolutionary technology allows Axon to assist law enforcement in arresting criminals who would use our weapons for nefarious purposes.

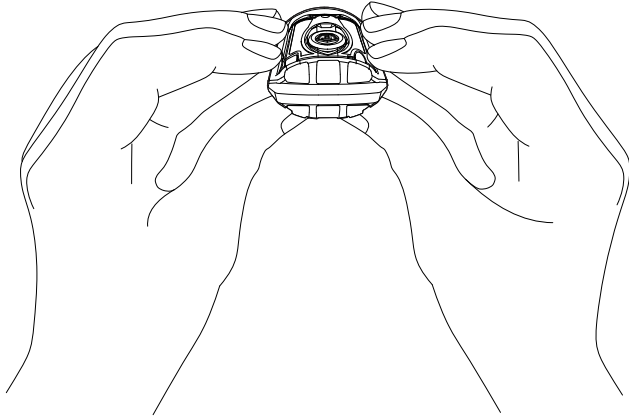


### Loading a Cartridge

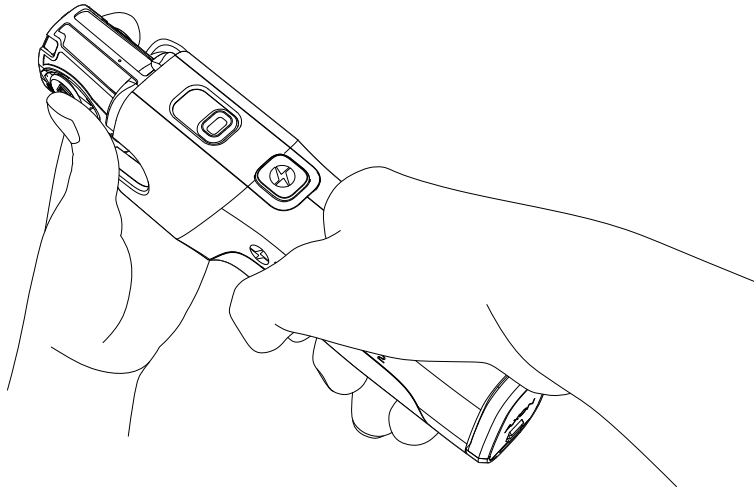
Never place your hands, fingers, or any part of your body in front of the cartridge. This is especially important when loading or unloading the cartridge. When loading and unloading, always hold the cartridge on the sides.

- 1 Point the energy weapon in a safe direction.
- 2 Shift the safety switch to the forward (ARMED) position and wait for the safety cap to pop off the energy weapon.
- 3 Shift the safety switch to the rearward (SAFE) position.

- 4 Remove the cartridge cover.



- 5 Keeping your hands away from the blast doors and firing button, place the cartridge into the front of the energy weapon, until it is approximately 90 percent inserted.



- 6 Confirm that the cartridge is secure by gently pulling on the sides of the cartridge.
- 7 Put the safety cap back on the energy weapon.

### Unloading a Cartridge

The Bolt 2 cartridge is designed to ensure a secure fit when inserted in the Bolt 2 energy weapon. The placement of the wire bundles behind the insertion tabs aids in providing a secure fit. It may be very difficult to remove a cartridge with the wire in place (that is, when the cartridge has not been deployed). To remove a live cartridge, follow these steps:

- 1 Ensure that the front of the Bolt 2 energy weapon is pointed in a safe direction.
- 2 Move the safety switch forward to cause the safety cap to pop off.
- 3 Move the safety switch to the rearward (SAFE) position. Do not place any part of your hands or other body parts in front of the Bolt 2 energy weapon.
- 4 Depress both tabs until the cartridge releases. Note that it might take two hands to depress the tabs. **Be sure to not press the firing button.**
- 5 Re-install the clear cartridge cover on the cartridge.

Removal of an expended cartridge does not require as much force because the wires are no longer



behind the tabs.

The cartridges for the Bolt 2 energy weapon are specifically designed so there is no “up” or “down” position – enabling you to quickly reload one in a stressful situation without worrying about putting it in upside down.

## Practicing with the Bolt 2 Energy Weapon

Axon recommends practicing with your Bolt 2 energy weapon to become familiar with its functions and how it deploys.

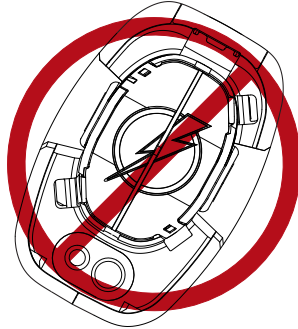
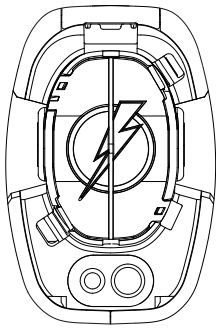
Be aware of your surroundings when deciding where to place your training target. Ensure that the target has a firm backing (for example, cardboard or a foam board) that will allow the probes to stick and not bounce off and strike an unintended person or object. Do not use a wooden backing. Do not place the target anywhere a probe that misses or penetrates the target could cause damage or injury.

Do not discharge Bolt 2 cartridges without using a target. Probes that do not strike a target may recoil back at you. We recommend using TASER conductive targets available on [buy.taser.com](http://buy.taser.com) and a thick, penetrable backing.

Safety first! Always treat your Bolt 2 energy weapon as if it were loaded.

- Never put your hands or other body parts in front of the energy weapon, especially when changing the cartridges.
- Do not inadvertently point any cartridges at yourself or at anyone when loading.
- Cartridge covers must be removed prior to attempting to load.
- If you are using the Axon Protect application, turn on training mode to avoid false alarms. See *Using Training Mode* (Chapter 5) for more information.
  - 1 Point your Bolt 2 energy weapon in a safe direction; load the cartridge as described in *Loading a Cartridge* while keeping your fingers away from the blast doors.
  - 2 Point your Bolt 2 energy weapon towards the training target and shift the safety switch forward to activate the LASER and arm the energy weapon.
  - 3 Aim your Bolt 2 energy weapon at the training target; keep in mind that the LASER is within 2 to 3 inches (5 to 7.6 cm) of the point of impact for the top probe. Aim at the target’s center of mass – to improve the accuracy of the bottom probe, avoid canting or tilting the energy weapon .
  - 4 Remember that the bottom probe comes out at an 8-degree downward angle. The bottom probe will drop 1 foot (0.3 m) below the top probe for every 7 feet (2.1 m) that it travels away from the energy weapon. Stand about 10 feet (3 m) from your target. This will result in a probe spread of about 18 inches (0.46 m). Place the LASER high enough on the target so the bottom probe will hit the target.
  - 5 Press the firing button once to discharge the cartridge and activate the 30-second cycle. Remember that you can discontinue the discharge at any time by shifting the safety switch to the rearward (SAFE) position.
  - 6 After the TASER discharge cycle ends, and the safety switch is in the rearward (SAFE) position, unload the expended cartridge as described in *Unloading a Cartridge*.
  - 7 If necessary, turn training mode off.

## Aiming and Probe Placement



For most deployments, hold the energy weapon level. Do not tilt the energy weapon unless it is necessary to align the energy weapon with the attacker.

Normally, aim the LASER at one of the large muscle groups (center of mass) such as the torso or thigh areas, etc.

Avoid head, face, throat, or groin exposure unless your safety or the situation dictates otherwise.

The top probe impacts the target near the LASER beam; however, the probe impact distance from the LASER beam can vary depending on numerous factors, including, but not limited to the distance, movement of the user or attacker, and environmental factors.

Be sure not to fire at a subject who is over 15 feet or 4.6 meters away (measure 15 feet or 4.6 meters to see how far this is – it will probably be further than you think). If you do deploy at someone more than 15 feet or 4.6 meters away, the probes will not have sufficient wire to reach them and may recoil back at you.

## Using the Bolt 2 Energy Weapon

The Bolt 2 energy weapon is a serious, state-of-the-art defensive weapon and should be treated accordingly. Although the energy weapon is designed to be as nonviolent as possible in stopping a combatant, its use can result in injuries, including but not limited to, a probe embedded in an eye or secondary injuries related to falling.

For a full list of warnings, see [www.axon.com](http://www.axon.com).

The energy weapon is to be used only for lawful purposes, including lawful self-defense or in the defense of others. Check your state and local laws for applicable regulations. Depending on local and state laws, the Bolt 2 energy weapon may be kept in the house for home protection, or carried in a car, purse, or backpack for personal protection when away from home. Be sure to research each state's applicable laws prior to possessing or transporting the energy weapon (including the transporting of the energy weapon across state lines and into other states where laws may vary). For a list of known laws related to energy weapons, go to [www.axon.com](http://www.axon.com).

An energy weapon is not a substitute for other preventive self-protection actions such as ensuring doors are locked, and parking in well-lighted areas.

## Deployment Instructions for Self-Defense.

- 1 Remove the Bolt 2 energy weapon from its holster.
- 2 If a person approaches in a suspicious or threatening manner, move the safety switch to the

forward (ARMED) position.

- 3 Aim the LASER beam at the attacker's body.
- 4 Shout verbal commands to "get away," if feasible. It is possible that the person will flee based on the noise and LASER.
- 5 If you determine that you need to deploy the Bolt 2 energy weapon in self-defense, ensure that you are within 15 feet (4.6 meters) of the attacker.
- 6 Press the firing button.
- 7 The TASER Safe Escape: Immediately put the Bolt 2 down and escape to safety. The TASER Bolt 2 is unlike most weapons in that it is built for you to escape to safety. After connecting with the target, the Bolt 2 will continue to administer electricity for 30 seconds (and if used properly NMI will continue for 30 seconds) regardless of whether you are still holding the weapon. Therefore, put the Bolt 2 on the ground and run to safety, call police, grab your children, or do whatever you need to do to ensure your safety with the 30 seconds the TASER Bolt 2 has given you.
- 8 As soon as it is safe to do so, call 911 and report the specific location of the threat.
- 9 See below for the TASER Safe Escape Policy on how to get your TASER energy weapon replaced for free when used in Self-Defense and left at the scene.

### "Silence is Golden"

The TASER energy weapon's electrical current is relatively quiet when both probes make direct contact with a human and an electrical circuit is completed and maintained. In contrast, an open circuit or some practice conductive targets produce a loud sound when used because the energy is arcing in the air across the Bolt 2 energy weapon's fixed electrodes.

If the electrical current is loud during field deployment, and the subject is not reacting as expected, the current may be shorting out and may not be effective. Deploy a second cartridge or consider other options in that situation.

### Potential Causes of Reduced or No Effectiveness

- **Loose or Thick Clothing.** If the probes lodge in clothing and are too far away from the attacker, energy weapon effectiveness is reduced and can be eliminated.
- **Miss or Single Probe Hit.** The electrical current must pass between the two probes in a completed and maintained circuit. If one probe misses, a second cartridge should be deployed if practical. Also, using the Bolt 2 energy weapon in the drive-stun mode as described below may also complete the circuit between the single probe and the energy weapon electrode. You may also consider upgrading to the TASER X2 or TASER 7 Professional Series (available on [buy.taser.com](http://buy.taser.com)), which are a 2-shot devices that fire a second cartridge immediately with a second trigger pull.
- **Low Nerve or Muscle Mass.** If the probes impact in an area where there is very little muscle mass (e.g., the side of the rib cage), the effectiveness can be significantly diminished.
- **Limited Probe Spread.** Small probe spreads (including drive-stun) result in little or no effect from NMI. They will however still function as a pain-control device.
- **Wires Break.** If a wire breaks (e.g., during a struggle), the current will not flow to the probes. Contact stun may still be available.

### What if I Miss?

The LASER sight is an extremely valuable aid for proper aiming. However, there is always the chance for a missed shot, especially in a dynamic, stressful situation, and you must be prepared to take alternative actions to protect yourself in case of a missed shot or reduced effectiveness. In the event

that you shoot and miss, you can also use your Bolt 2 energy weapon as a direct contact stun device, which is designed for pain compliance.

### Contact Stun Backup

Contact Stun is the use of the TASER Bolt 2 as a stun gun, rather than by firing probes. You can contact stun either with an already fired cartridge or without a cartridge installed. Probe deployment is usually considered more desirable if incapacitation is the desired objective, even at close range, because the drive-stun is only a pain-compliance use.

When using the contact stun, push the firing button and push (drive) the front of the energy weapon firmly against the body of the attacker. Simply “touching” the Bolt 2 energy weapon against the person is not sufficient. The subject is likely to recoil and try to get away from the stun electrodes. If the drive-stun is not effective, evaluate the location of the drive-stun and consider an additional cycle to a different pressure point.

## TASER Safe Escape Policy

Do not hesitate to place the Bolt 2 energy weapon on the ground and leave it at the scene of the attempted assault. At Axon, we value your life more than a piece of plastic and metal. If you successfully deploy your TASER Bolt 2 to defend yourself, leave it at the scene and take advantage of the 30 seconds to escape.

Axon will replace the TASER Bolt, Bolt 2, C2, TASER 7, X26C, M26C, Pulse, Pulse+, X2, or X26P energy weapon free of charge, with the same product or a like product, at Axon’s option, if the Purchaser provides, within one year following the event, the following information to Axon Enterprise, 17800 North 85th Street, Scottsdale, Arizona 85255 Attn: Customer Service:

- a copy of the official police report documenting the incident and the loss of the product;
- proof of purchase of the product (receipt, purchase order, or invoice);
- check or a credit authorization for the shipping and handling fees; and
- purchaser’s name, physical address (no PO Boxes allowed), and phone number of where to send the replaced item.

Purchaser is responsible for any expedited shipping or handling costs for the replacement energy weapon. A replacement product assumes the remaining warranty of the original product or 90 days from the date of replacement, whichever provides longer coverage to the Purchaser.

TASER Safe Escape is not available or applicable: (a) on any international (Non-United States) sales or uses of TASER Citizen Products; or (b) to any Purchaser who uses the energy weapon for a commercial purpose.

# Chapter 5: Smart Device Application

## The Axon Protect Application

Axon Protect is a personal security application that can be paired with the Bolt 2 energy weapon for services such as rapid support when the device is discharged and for device status checks such as remaining battery life. The Bolt 2 energy weapon does not require the Axon Protect app to function properly.

In addition to other features, pairing the application with the Bolt 2 energy weapon makes it possible for Axon to be automatically notified when the device has been discharged. When your paired device is discharged within range of your Axon Protect app, Axon receives an alarm and an Axon Agent calls to check on your safety. If you request help – or do not respond by the Agent’s second attempt to reach you – the Axon Agent will contact emergency services and/or local police to request assistance on your behalf. This may result in the dispatch of emergency services and/or police to your location.

This function is temporarily disabled when the app is in training mode (see below).

Axon Protect may share data about your connected device with an Axon Agent in order to support the app’s personal safety features.

To learn more, please visit [www.axonprotect.com](http://www.axonprotect.com).

### Installing Axon Protect

To install the Axon Protect application, scan the QR code below and follow the on-screen instructions. The app can also be downloaded and installed from the App Store (for Apple iOS users) or from Google Play (for Android users).



## Uninstalling Axon Protect

If you wish to remove Axon Protect, use your smart phone's settings as you would to uninstall other applications.

## Stopping False Alarms

If you unintentionally deploy your energy weapon and/or do not want Axon Protect to contact emergency services on your behalf, follow these steps:

- 1 Wait for a call from an Axon agent to your phone.
- 2 Explain the situation. The Axon agent will ask if you intended to use the training mode and explain the procedure for using it.

## Using Training Mode

When training with the Bolt 2 energy weapon, you will practice contact stuns or deploy cartridges. Activating training mode in the Axon Protect application enables you to practice without sending notification to Axon that the paired device has been discharged. When training mode is ON, discharging a paired device will not result in your being contacted by an Axon Agent, and no emergency services or local police will be requested to your location.

Follow instructions within the application to activate training mode.

**When you are done practicing, be sure to turn training mode off so alerts will be sent in a self-defense situation.**

# Chapter 6: Maintenance and Care

## General Concepts

The Bolt 2 energy weapon is a sensitive piece of electronic equipment, and should be handled with care. Avoid dropping a Bolt 2 energy weapon. Do not use a Bolt 2 energy weapon that has a cracked handle.

- Check the battery pack regularly.
- Perform a function test regularly.

Check the expiration of the Bolt 2 cartridges (the 5-year expiration is listed on the base of the cartridge). Do not use an expired Bolt 2 cartridge.

- Secure the Bolt 2 energy weapon in a protective holster when not in use.
- Avoid exposing the Bolt 2 energy weapon to excessive moisture or water.
- See the troubleshooting guide at [www.axon.com](http://www.axon.com) for additional instructions.

## Function Test

A function test should be conducted every 30–60 days. The reasons for the function test include:

- To verify the Bolt 2 energy weapon is working.
- To verify that the batteries are in good condition.

To perform a function test:

- 1 If you are using the Axon Protect application, ensure training mode is turned on. See *Using Training Mode* (Chapter 5) for more information.
- 2 Shift the safety switch to the forward (ARMED) position so the safety cap pops off.
- 3 Shift the safety switch to the rearward (SAFE) position.
- 4 Safely unload the Bolt 2 cartridge. See *Unloading a Cartridge* (Chapter 4) for more information.
- 5 Point the energy weapon in a safe direction (such as the floor) and ensure that your fingers and no part of your body are in front of the energy weapon.
- 6 Shift the safety switch to the forward (ARMED) position.
- 7 Check the battery level. See *Firing Button* (Chapter 4).
- 8 Press the firing button and confirm sparking across the electrodes at a rapid rate. Allow the

cycle to run for the full 30 seconds.

- 9 Shift the safety switch to the rearward (SAFE) position.
- 10 If necessary, turn training mode off.

## Changing the Batteries

To install or change the battery pack:

- 1 Shift the safety switch to the forward (ARMED) position so the safety cap pops off.
- 2 Shift the safety switch to the rearward (SAFE) position.
- 3 Safely remove the Bolt 2 cartridge.
- 4 To remove the battery pack, slide the battery door off the energy weapon.
- 5 Replace the batteries.
- 6 Reinstall the battery pack. Ensure that the battery pack is fully inserted into the Bolt 2 energy weapon. Failure to do so could result in a damaged energy weapon or a loss of power during a deployment.
- 7 Slide the battery door back onto the energy weapon.
- 8 Perform a function test. See *Function Test* for instructions.



# Chapter 7: Additional Items

## Troubleshooting

A list of frequently asked questions (FAQs) for the Bolt 2 energy weapon is available at [buy.taser.com](http://buy.taser.com). If you need product support on accessories or have any other questions, please contact consumer customer service at:

[team@taser.com](mailto:team@taser.com)

+1.800.978.2737 (tel:+18009782737)

If the TASER energy weapon has been exposed to bodily fluids or other biohazards, contact Axon's customer service department at +1.800.978.2737 or +1.480.905.2000 for specific instructions BEFORE returning the weapon.

## Legality

The BATFE has classified our TASER energy weapons non-firearms because they use compressed gas, rather than explosives to launch the projectiles. Because TASER energy weapons are not firearms, they may be carried without a permit in certain jurisdictions (check state and local laws for permit requirements in your area). Currently the TASER energy weapon is restricted from possession by citizen users in the following states: Hawaii, Massachusetts, New Jersey, New York, Rhode Island, and certain cities and counties. Check our website at [www.axon.com](http://www.axon.com) for a list of known state and local laws concerning TASER energy weapons. Because state and local laws may change frequently, be sure to research the applicable laws in your area prior to using, possessing or transporting the energy weapon.

## Warranty

Please see the product warranty that came with your energy weapon. Current product warranties are also available on [www.axon.com](http://www.axon.com).

## Warnings

See the current product warnings that came with your energy weapon. For more information about your TASER product. Current product warnings are also available on [www.axon.com](http://www.axon.com).

## Medical Research

Medical studies have found that modern pacemakers and implanted cardiac defibrillators withstand external electrical defibrillators many orders of magnitude stronger than the TASER conducted energy pulses.

## Radio Waves



An Axon Bolt 2 system transmission is in the frequency range of 2402 – 2480 MHz.

### Federal Communications Commission (FCC) Statement

It contains FCC ID: RYYEYSHSN

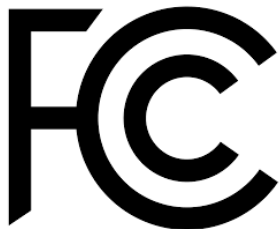
Changes or modifications to the equipment not expressly approved by the manufacturer could void the product warranty and the user's authority to operate the equipment.

This device complies with part 15 of the FCC Rules. Operation is subject to the following two conditions: (1) This device may not cause harmful interference, and (2) this device must accept any interference received, including interference that may cause undesired operation.

This equipment has been tested and found to comply with the limits for a Class B digital device, pursuant to part 15 of the FCC Rules. These limits are designed to provide reasonable protection against harmful interference in a residential installation. This equipment generates, uses and can radiate radio frequency energy and, if not installed and used in accordance with the instructions, may cause harmful interference to radio communications. However, there is no guarantee that interference will not occur in a particular installation. If this equipment does cause harmful interference to radio or television reception, which can be determined by turning the equipment off and on, the user is encouraged to try to correct the interference by one or more of the following measures:

- Reorient or relocate the receiving antenna.
- Increase the separation between the equipment and receiver.
- Connect the equipment into an outlet on a circuit different from that to which the receiver is connected.
- Consult Axon Technical Support for help

## Compliance Marks





Axon Enterprise, Inc.  
17800 N 85th St.  
Scottsdale, AZ 85255, USA

Product functions and specifications may change without notice and the actual product may vary from the illustrations in this manual.

Android and Google Play are trademarks of Google, Inc., Apple is a trademark of Apple, Inc., App Store is a service mark of Apple, Inc., iOS is a trademark of Cisco, and QR Code is a trademark of Denso Wave Incorporated.

▲, ▲ AXON, Axon, Bolt 2, TASER, ⚡, and ⚡ are trademarks of Axon Enterprise, Inc., some of which are registered in the US and other countries. For more information visit [www.axon.com/legal](http://www.axon.com/legal). All rights reserved.

© 2022 Axon Enterprise, Inc.

MMU0080 Rev: A